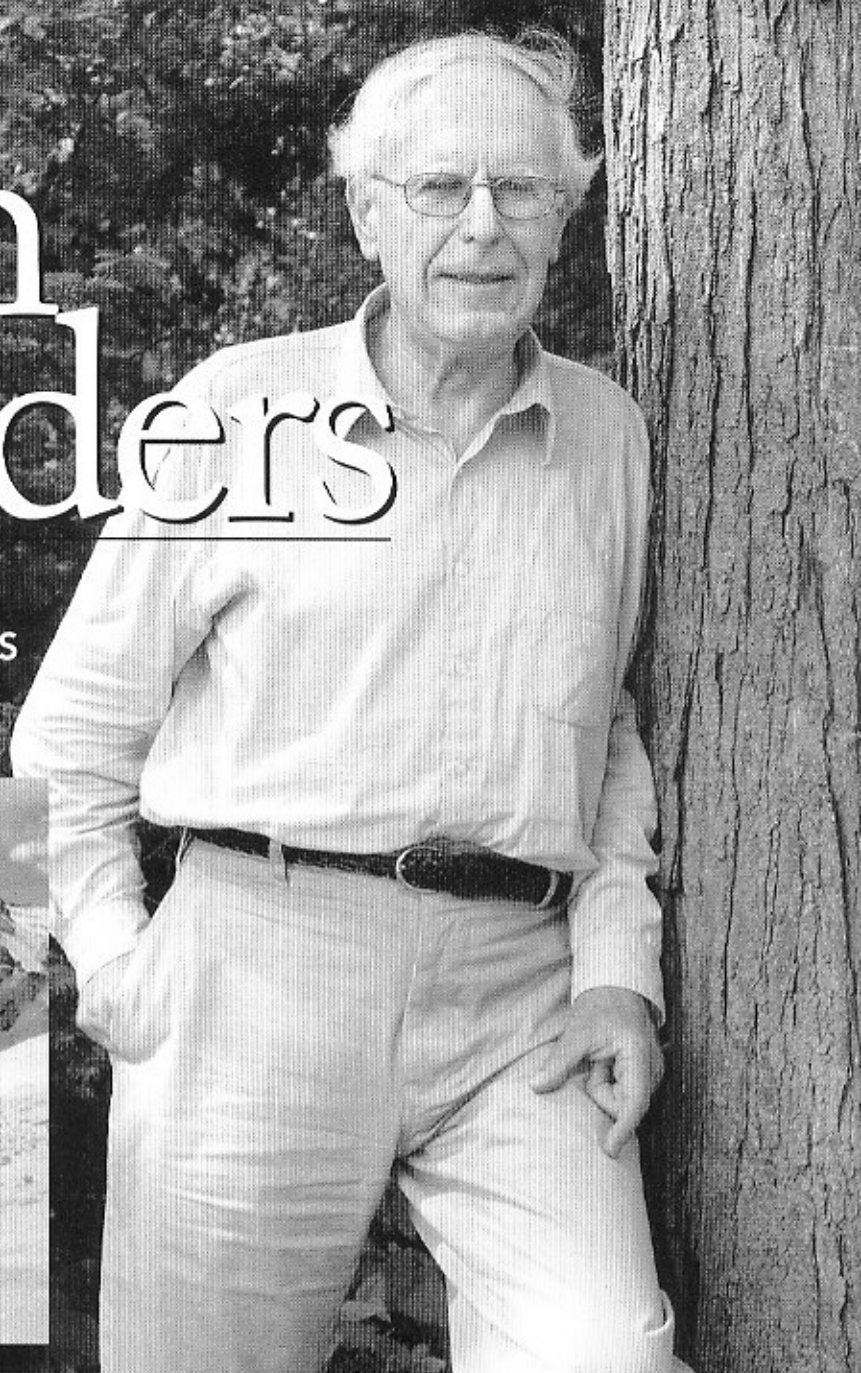


Tough Shoulders

A TORN ROTATOR CUFF DIDN'T KEEP THIS SKIER OFF THE SLOPES FOR LONG



Zdenek P. Bazant, PhD, has been an expert downhill skier since his childhood in Czechoslovakia. Each year, the 65-year-old engineer and former part-time ski instructor and his wife Iva Bazant, MD, make trips to the Alps and the Rocky Mountains to conquer double black diamond ski runs.

Dr. Bazant is an internationally renowned engineer who has published six books, hundreds of articles, and received four honorary doctorates for his groundbreaking discoveries in solid mechanics. He is the McCormick School Professor and Walter P. Murphy Professor of Material Sciences and Professional Engineering at Northwestern University. He is a member of the National Academy of Engineering and of the National Academy of Sciences. His work has been the basis for changes in building codes around the globe.

Dr. Bazant's skiing career, however, hit a snag on a mogul slope one crisp morning in Breckenridge, Colorado in April 2002. A patch of slushy snow had frozen into hard ice, causing him to tumble forward and slam his elbow into the mogul, resulting in a familiar, excruciating pain in his left shoulder. Upon his return home to Evanston, Dr. Bazant confirmed his suspicions – he had suffered a torn rotator cuff.

Six years earlier, the Prague native had suffered the same injury in his right shoulder.

"I knew it was the same injury," said Dr. Bazant. "I was in pain but wanted to wait and see if time would improve the condition."

After the first injury seven years ago, Dr. Bazant underwent a conventional surgical rotator cuff repair performed by a respected surgeon. In the conventional

procedure, the surgeon must access the rotator cuff by dissecting muscle. Because of the extensive dissection, his recovery was slow and extremely painful.

After his recent skiing accident, Dr. Bazant was referred to Steven Levin, MD, an orthopaedic surgeon who specializes in sports injuries. Dr. Levin, an Assistant Professor of Orthopaedic Surgery at Northwestern University's Feinberg School of Medicine, offered Dr. Bazant an alternate approach to conventional surgery – arthroscopic rotator cuff repair. This minimally-invasive technique has grown fairly common in recent years in many kinds of joint surgeries, but is still rare in repairing torn rotator cuffs because of the technical skills the procedure requires.

Unlike the conventional surgery, arthroscopy is usually an outpatient procedure. The surgeon uses three small incisions – one to insert a lighted arthroscope with a small TV camera, one to expand the joint with fluid and one to insert an instrument to anchor the torn tendon together with a device that eventually dissolves.

"In most cases, arthroscopy is preferable over the conventional method because there is minimal violation of tissue," said Dr. Levin, who earlier in his career worked with the Buffalo Bills. "The patient can go home the same day and can begin therapy to build back strength in just a few weeks."

Dr. Bazant had the surgery last September at Evanston Hospital. He started physical therapy four weeks later.

"By December I could swim the crawl stroke. By the end of January I could do it with no pain at all," said Dr.

About Rotator Cuff Repairs

The traditional method of rotator cuff repair surgery can be very painful for patients, primarily because a surgeon must make a significant incision and retract the deltoid muscle to access and repair the injured area.

Advances in technique and equipment have led two alternatives to the conventional method: a "mini-open" repair, in which an arthroscope is used in conjunction with deltoid muscle retraction; and an entirely arthroscopic procedure in which the whole procedure is performed through small incisions.

Both alternative procedures are performed on an outpatient basis and require about the same rehabilitation period, said Gregory H. Portland, MD, a Clinical Instructor in Orthopaedic Surgery at the Feinberg School of Medicine.

"Patients generally feel less pain after the all-arthroscopic procedure because there isn't that deltoid muscle retraction," said Dr. Portland. "Still, for extremely severe rotator cuff tears, the conventional surgery is sometimes the best option."

But there can be a down side to a less painful recovery period.

"People who have had arthroscopy tend to feel better earlier in their recovery, but healing does take time," he said. "We find that occasionally they're tempted to push the envelope a little too soon."

Bazant. "But the doctor told me I should not ski until the middle of March." So, on March 15, Dr. Bazant headed to the top of a ski run in Obertauern, Austria, and resumed the sport he loves most.

"Skiing is a thrilling sport; the scenery is beautiful," said Dr. Bazant, who in 1959 became a patent-holder in Czechoslovakia for a safety ski binding he invented. He published the first ever scientific article on the theory of safety ski bindings in a Czech magazine a year later.

While Dr. Bazant is known more for his research in fracture mechanics and structural stability than for his skiing, he recently returned from the slopes of Mount Whistler, British Columbia. He plans to head back to the Alps – and Breckenridge – this winter. ■

U.S. News

**Best
Hospitals**

Evanston Northwestern Healthcare's orthopaedics capabilities helped earn the organization a position among "America's Best Hospitals" in the July 28 issue of *U.S. News and World Report*. Orthopaedics moved up in the rankings to 43 this year from 50 in 2002; Neurosciences, ranked 48 in 2001, moved up to 29 this year. New to the rankings was hormonal disorders, listed at 33. Investigators for the magazine examined 6,003 hospitals throughout the United States.

Dear Editor,

Looking through the NESM Newsletter #58, I am struck by the depth of coverage, the good accounts and the selection of photos. You have done your usual splendid job and are to be congratulated.

I do have one small nitpick, something that, perhaps, only I and one or two others might have spotted. In your remarks about Peckett's, you repeatedly misspelled Kate Peckett's first name. It should be: Katharine, not Katherine. Kate was always quite fussy about that middle "A". The Peckett family had a whole string of Roberts and Katharines from way back and the distaff side was always spelled the same way. Kitty, Kate's daughter, can attest to that.

Allen Adler

Dear Editor,

My father wrote a column called *The Observer* for *The Milford Cabinet*. He had written it each week for more than forty years when he died in 1955. Dad graduated from Dartmouth College in 1908. He was a friend of Fred Harris, but I don't believe he ever skied at college. In fact I didn't think he had ever skied anywhere, until I came across an *Observer* column that was printed in the *Cabinet* on February 25, 1954. A couple of paragraphs are reprinted below. They might amuse you or even interest you.

"I wish I had saved my first and only pair of skis. They would interest the modern schussers and skimeisters. I made 'em myself, along with a few other local lads along about the turn of the century.

We'd go down to the basket factory. It was in the rear of the McLane factory, now the White Elephant antique emporium. There we'd pick out two pieces of ash half an inch thick, 10 feet long and four to five inches wide. After a day and a night in the steam oven we could put a fairly permanent up-turn at one end of each plank. A loop of harness leather from Julian Lease's harness shop, and a cleat nailed cross the middle of each plank completed the manufacture.

Heavy? They must have weighed 20 pounds apiece. No groove, no shape, no bindings, no poles; just a narrow toboggan on each foot. With good luck one might slide all the way to the bottom of a small slope without a tumble. My luck was seldom good. A fall would mean that one or both skis would take off for the foot of the hill. Before going after the runaway skis I'd have to hunt in the soft snow for my glasses, hoping to find them unbroken.

Around 1900 I had a pretty low opinion of skiing as an outdoor sport. I preferred fishing through the ice. And I never cared much for ice fishing. But it wasn't all my fault. I was born 40 years too soon. I sure envied those kids I watched this month, going whizzerty-bang down a steep hill. And being hauled back up again. I even looked at the price tags on skis, boots and bindings in the ski hut. Up to \$60 for a pair of runners, binding extra. For boot, \$30. Poles, pants, goggles and other equipment

Journal
of the
New England Ski Museum

Winter 2003-2004

Issue Number 59

Dear Editor,

By a separate mail, I am sending to you, as a donation, one piece of my safety ski binding, for which I received Czechoslovak Patent no. 97175 on June 5, 1959. I invented this binding after a serious ski injury, when I was an undergraduate civil engineering student at the Technical University in Prague.

Compared to the Marker, the advantage of my patent (marketed as the ZPB binding) consisted in the fact that it could be used with the soft boots made from leather, which totally dominated in Czechoslovakia until the late 1960s (no hard plastic boots were made in the country, and only very few people could acquire the hard plastic boots made in the West). With the soft boots owned by Czech skiers, the Marker binding did not work well. This advantage over the Marker of course vanished once the stiff plastic ski boots became commonplace, which occurred in Czechoslovakia around 1970 (which was only after I defected to the West).

Later it was realized that both the original Marker and my patent did not possess shock absorption capability, the importance of which was not understood in 1959. Bindings with good shock absorption capability came on the market in the late 1960s. They made both my ZPB binding and the original Marker binding obsolete.

A total of 30,000 pairs of my binding were produced and sold in Czechoslovakia by the Lovena Company (a "people's cooperative" controlled by the communist government). Consequently it is estimated that, in the early 1960s, about one third of Czech skiers used my binding. However, it was not the policy of Czechoslovak communist rulers to allow its subjects to obtain patents abroad, and their bureaucracy was not seriously interested in exporting abroad, particularly not across the Iron Curtain.

The ZPB binding sold for 47 Kcs a pair (about 7 dollars by the official exchange rate and about 1 dollar on the black market). As the patent holder, I received the royalties of about 1 Kcs from each piece sold during the first three years (this represented the percentage decreed by governmental regulation in Czechoslovakia, and the royalties were given by the government to the patent holder only during the first three years of patent protection). This way I made about 30,000 Kcs, which was 2.1 times my starting salary as a bridge engineer (I used this money as a deposit for an apartment, which I hoped to be allotted to me some years later, but this money was confiscated after I defected to the West).

Although the injury to my knee terminated my somewhat

naive ski racing ambitions, it was thanks to the patent that I was inducted to serve as member of the Czechoslovak State Commission for Skiing, as a ski equipment expert on the Commission. Even though travel to the West was in Czechoslovakia prohibited for most people, this membership led to a special permission to travel in 1966 with a Czech delegation to Kitzbuhel, Austria, to observe, and report on, the Hahnenkamm ski race (and, in my case, on the ski equipment used there). This trip, which was my first across the Iron Curtain, eventually led to my defection to the West (which is a more complicated story), and this ultimately led to my becoming a US citizen exactly ten years after that momentous trip. By then, I no longer had time to engage in further improvements of ski bindings, and was devoting all energy to my academic career.

Zdenek P. Bazant
Evanston, IL
Member of ASTM Committee F-27, Skiing

Dear Folks,

Great work on your projects!!!

I wanted to tell someone about a ski camp that was organized and operated in Wilmington Vermont in the mid 1930s. I do not know if there was a mechanical tow there or not. It was located on the north-facing slope of the hill that can be seen on the section of VT Route 9 between Ballou Hill Road and Shearer Hill Road, south of Route 9. It was run by Harold M. Gore, known as Kid Gore, who was the first person to develop a physical education major, while he was teaching and a coach at Mass Ag College (U Mass Amherst) Kid ran a camp in Wilmington on Ballou Hill called Najerog from the 20s til 1968. His sons Peter and Robert were both in the 10th Mt Division, I believe. Their ski experience came from the camp that their father ran in the 30s. The skiers lived up at the summer camp and were taken down to the ski hill each day for several weeks in the winter. I thought that I had heard Kid Gore say that this was the first camp of its kind that he knew about.

Hope this helps keep a piece of history alive.

Rev. Ralph W Howe
Northfield Falls, Vermont

Clarita Heath Bright,
Continued from page 33

well-known Boston skier Alec Bright, whom she had met at the 1936 Winter Olympics in Garmish-Partenkirchen when they were both members of the US ski team.

Daughters Candy Reiter Midkiff of Lopez Island, WA and Sierra Heath Bright of Dover, MA and son Cameron Bright of Freeport, ME survive her.

Sources: *Boston Globe*; Ingrid P. Wicken, *Pray for Snow: The History of Skiing in Southern California*, Vasa Press, Norco, CA, 2001.

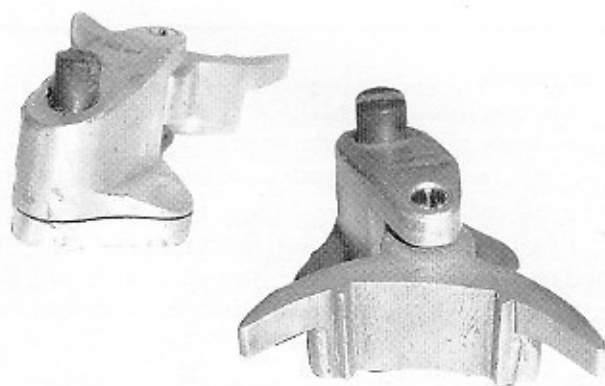


Photo by Steve Haddock

The Czech ZPB release toe invented by Dr. Bazant



Photo by Frank Curcio

Wearers of vintage clothing at the 2004 Hannes Schneider Meister Cup Race

Clarence J. Bousquet, continued from page 34

money could lie hidden in a few stony New England slopes. Clare had made Bousquet's the forerunner of the squadron of huge and healthy four-season northeastern resorts of today. Bousquet's stood as the beacon of the sport for those thousands who chose to make the ski business their life in the early days of the sport.

President's Report,
Continued from page 3

only supports our preservation efforts but also funds our Scholarship and Grant program.

We have a very ambitious approach to our mission. With your support, the hard work of our talented staff and help from our friends at Cannon Mountain, RSN Television, Johnson and Dix, the Mount Washington Hotel and Resort, and Cranmore Mountain Resort we preserve the history of this great sport and we educate people about the sport's past. I am honored to be a part of the New England Ski Museum.

REPUBLIKA ČESKOSLOVENSKÁ

ÚŘAD PRO PATENTY A VYNÁLEZY

Třída 77 b, 15 27



Vydáno 15. listopadu 1960

Vyloženo 15. dubna 1960

PATENTNÍ SPIS č. 97175

Právo k využití vynálezu přísluší státu podle § 3 odst. 6 zák. č. 34/1957 Sb.

ZDENĚK BAŽANT, PRAHA

Pojistné lyžařské vázání

Přihlášeno 5. června 1959 (PV 3323-59)

Platnost patentu od 5. června 1959

Pojistné lyžařské vázání má za úkol oddělit při pádu lyžaře za vzniku určitého maximálního kroutícího momentu nohy botu od lyže a zabránit tím úrazu, který by kroutící moment mohl způsobit. Okamžik otevření pojistného vázání musí přitom být předem kontrolovatelný a nezávislý na různých vedlejších vlivech, aby se vázání rozevíralo vždy při stejné, předem nastavené síle. Tomu z dosavadních patentů zatím nejlépe vyhovuje konstrukce Marker, která však má tyto nevýhody: Podmínkou funkce je u ní určitý minimální kolmý tlak špičky podrážky na opěrné hrany, který je značně velký. To je proto, že spojnici opěrné hrany a volného kloubu, tj. kloubu, který je pohyblivý i při uzavřené pojistce, svírá s podélnou osou lyže příliš malý úhel. Touto spojnici při vytvoření každého vázání prochází výslednice sil boty na pojistný mechanismus. Nevyvozuje-li bota potřebný minimální kolmý tlak na opěrné hrany, může vybočit bez rozevření pojistného mechanismu pouze pootočením pojistného mechanismu kolem volného kloubu při uzavřené poloze pojistky při současném oddělení boty směrem dozadu ve směru osy lyže. Tato nevýhodná vlastnost, která znamená jednak menší bezpečnost funkce vázání, jednak zbytečně velké namáhání podrážky na tlak, její nadměrné opotřebování a nemožnost použití kůže méně kvalitní, je zde konstrukčně dána tím, že volný kloub je příliš daleko od špičky podrážky až za kloubem, který je uzavírán pojistkou. Dále u tohoto vázání nastává určité odchýlení spojnice obou kloubů od podélné osy lyže, když podrážka pružně povolí bočnímu tlaku. Za jízdy se mění boční tlaky a podle nich se podrážka stále pružně deformuje (úměrně své tu-

hosti a kvalitě). Zmíněná spojnice mění svoji polohu a pojistný mechanismus se za jízdy kývá kolem volného kloubu. Odchýlení spojnice nastane též, není-li přední plocha podrážky přesně kolmá na podélnou osu lyže, s čímž je nutno vždy počítat. Při odchýlení této spojnice podélná složka tlaku na opěrnou část mechanismu (např. tlak Huitfeldova pera), procházející volným kloubem, má určité rameno ke kloubu, který je uzavírán pojistkou a ovlivňuje proto rozvření mechanismu, což je nežádoucí, neboť vybočení pak nenastává při 30 téměř krouticím momentu. Tato nepříznivá vlastnost, která znamená značné snížení bezpečnosti vázání, je důsledkem toho, že pojistka působí mezi střední částí a částí, o níž se opírá bota, a ne mezi střední částí a částí spojenou s lyží. Dále má toto vázání velké nároky na přesnost výroby a obrábění, neboť reakce pojistky působí k uzavírání kloubu na příliš velkém ramenu. Regulace vázání na lyži je nepohodlná, protože regulační šroub je umístěn zespodu, kde je špatně přístupný a není na něj vidět, takže u něho též není možno 40 umístit stupnici regulace nebo kontrolní rysku, která je velmi důležitá. Regulační šroub umístěný dole je též značně atakován sněhem. Vázání Attenhofer je pouze jednokloubové. Tím nemůže vyhovět požadavkům na pojistné vázání, neboť na vybočení má vliv tlak boty na pojistný mechanismus, protože při vybočení se musí bota mírně posunout směrem dozadu. Dále si to vynutí při 50 i velké rozměry mechanismu.

Všechny uvedené nevýhody odstraňuje konstrukce podle vynálezu. Tak 60 předně na rozdíl od konstrukce Marker je u ní úhel spojnice opěrné hrany a volného kloubu s podélnou osou lyže při stejné vzdálenosti opěrných hran několikrát (asi třikrát) větší, což je způsobeno tím, že konstrukce podle vynálezu má volný kloub těsně před špičkou boty a kloub, který je uzavírán pojistkou, až před ním, a že pojistka, uložená ve střední polyhedralní části, působí na část spojenou s lyží a ne na část, o níž se opírá bota. Dále spojnice obou kloubů u této konstrukce zůstává na rozdíl od konstrukce Marker stále totožná s podélnou osou lyže a neodklání se. Za pružných deformací podrážky za jízdy nebo není-li přední plocha podrážky přesně kolmá na podélnou osu lyže vychyluje se totiž pouze opěrná část, což vůbec nevadí, protože nevzniká žádné 70 rameno podélné složky tlaku boty na opěrnou část ke kloubu uzavíranému pojistkou, jelikož spojnice obou kloubů se neodchyluje. Funkce vázání je tedy v tomto směru zcela bezpečná a podélná složka nemůže mít žádný vliv na vybočení. Nutné kývání boty, odpovídající kývání opěrné části za jízdy a způsobované pružnou deformací podrážky, je zde přitom asi třetinově než u konstrukce Marker, protože přední plocha podrážky je k volnému kloubu asi třikrát blíže. To vše je opět způsobeno zmíněným umístěním pojistky a kloubů. Přesnost obrábění zde může být poloviční než u konstrukce Marker, protože 80 rameno pojistky ke kloubu, který uzavírá, je poloviční. Zde též odpadá horní konsolová deska, která je u konstrukce Marker nepříznivě namáhána na obch. a konstrukce je tím též rozměrově menší. Pojistka na rozdíl od konstrukce Marker působí shora dolů a regulace vázání na lyži je proto pohodlná, protože regulační šroub je umístěn nahoře, kde je dobře přístupný, je na něj vidět a je tam proto možno umístit stupnici regulace nebo kontrolní rysku. Nahoře je regulační šroub též méně atakován sněhem. Od vázání Attenhofer se konstrukce podle vynálezu zásadně liší tím, že má dva klouby a ne jeden a že na vybočení pak nemá vliv tlak boty na opěrné hrany, což je vedle jiného nejdůležitější výhodou.

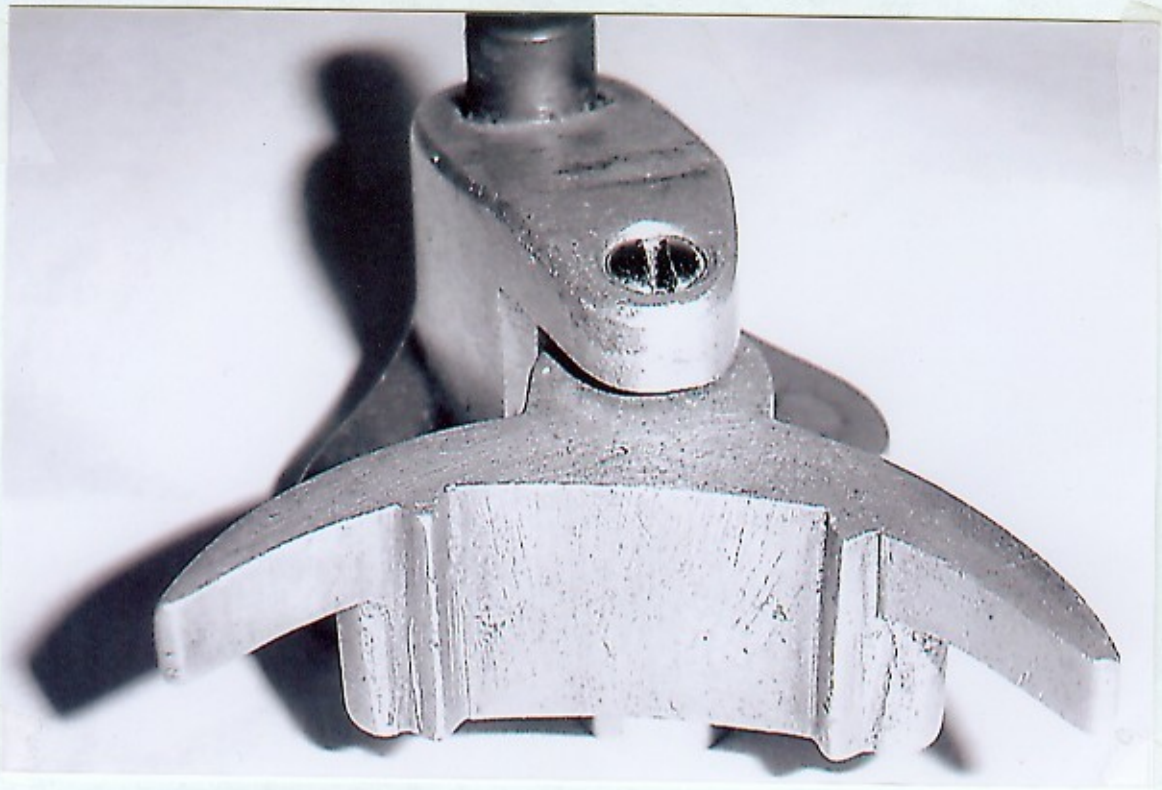
Na obr. 1 je zázorněný pohled shora na konstrukci, na obr. 2 podélný 90 svislý řez konstrukcí.

Vázání se skládá z částí 1 až 17. Destička 1 je přitroubována šrouby 11 k lyži. Její střední část má vyvýšeninu a v ní má vpředu vybrání tvaru kulového vrchlíku, do něhož zapadá kulička 6. Z destičky 1 vybíhá nahoru čep 4, na nějž je otočně nasazena střední část 2, která je k čepu 4 přidržována šroubem 9. Ve střední části 2 je vpředu uložena kuličková pojistka 6, 7, 8, která se skládá z kuličky 6, zapadající do dutého kulového vrchlíku v destičce 1,

80 z pružinky 7 a z regulačního šroubu 8 s kontrolní ryskou 16. Na zadním konci střední části 2 vyběhají dvě konsolky 12 s otvory, jimiž prochází šroub opěrné části 5, který je zajištěn maticí 10 a jehož pootáčením lze měnit výšku opěrné části 3. Opěrná část 3 je otočně připojena na šroub 5 a má dvě opěrné hrany 13, o něž se opírá bota a výčnělek 17, který zabraňuje vyklouznutí boty nahoru. Otočné připojení střední části 2 na destičku 1 vytváří první kloub 14 a otočné připojení opěrné části 3 na střední část 2 vytváří druhý kloub 15, z nichž první kloub 14 je uzavírán svislou pojistkou 6, 7, 8, uloženou ve střední části 2 a působící shora dolů na destičku 1, spojenou s lyží, a druhý kloub 15 zůstává volný.

Předmět patentu

90 Pojistné lyžařské vázání se dvěma klouby, vyznačené tím, že svislá pojistka (6, 7, 8), uložená ve střední části (2), působí shora dolů na destičku (1), spojenou s lyží a uzavírá tak první kloub (14).



Д-р Я. Чвртчека:

К ЗАКЛЮЧЕНИЮ ДИСКУССИИ О ОБУЧЕНИИ ЛЫЖНОМУ СПОРТУ

Новая основа обучения лыжному спорту, которая вышла три года тому назад непрерывно проверяется. Основное обучение лыжному спорту было упрощено и сосредоточено в следующие группы упражнений:

Д-р J. Čtvrtečka:

ON THE CONCLUSION OF THE DISCUSSION OF THE BASIC SKIERS' TRAINING

The new curriculum of skiers' training, published three years ago, is being systematically checked. The curriculum of skiers' training on snow has been simplified and reduced to the following groups of prepara-

1. подготовительные упражнения с лыжами на лыжах, 2. порядковые упражнения, 3. повороты, 4. ходьба и бег, 5. подъем на гору, 6. съезд, 7. торможение, 8. изменение направления, 9. прыжки.

tory training: 1. preparatory training with the skis and on the skis, 2. the basic drills, 3. about-turns, 4. walking and running (on skis), 5. ascending, 6. down-hill runs, 7. braking, 8. changing of direction, 9. jumps

MECHANICKÝ ROZBOR A NOVÉ KONSTRUKCE POJISTNÝCH LYŽAŘSKÝCH VÁZÁNÍ

Z. P. BAŽANT

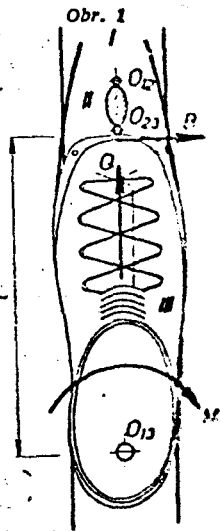
Obrovský, možno říci masový rozmach sjezdových lyžařských disciplín v poválečných letech pronikavě zasáhl i do konstrukce lyžařských vázání. Sjezdové disciplíny, jako jeden z nejkrásnějších sportů, mají totiž jednu velikou, závažnou vadu, vysokou úrazovost sportovců. To vedlo konstruktéry k vytvoření nového druhu vázání, vázání pojistných, zabezpečujících určitým způsobem lyžaře proti nebezpečí úrazu dolních končetin. Při pádu vznikají značné síly působící na nohu prostřednictvím lyže, která je s ní vázáním pevně spojena. Pojistné vázání má právě za úkol, aby před vznikem těchto nebezpečných sil se lyže oddělila od nohy a tím se působení těchto sil zamezilo. Statisticky bylo zjištěno, že příčinou většiny úrazů dolní končetiny, vznikajících při pádu v důsledku pevného spojení lyže a nohy, je kroutcí moment, který lyže do nohy přenáší a který způsobuje spirální frakturu kosti, distorsi kotníku, kolena apod. Proto se konstruují pojistná vázání tak, aby při vzniku takového kroutcího momentu měla bota možnost vůči lyži se pootočit, například tak, že pata zůstane na místě fixována k lyži lankem nebo řemeny s otočným talířem a špička vybočí do strany. Tak je také většina vázání konstruována.*) Vybočení špičky do strany umožňuje pojistný mechanismus

*) Existují též vázání zabezpečující proti obyčejnému momentu, která však nejsou tak důležitá, neboť ohybový moment je skoro vždy doprovázen kroutcím.

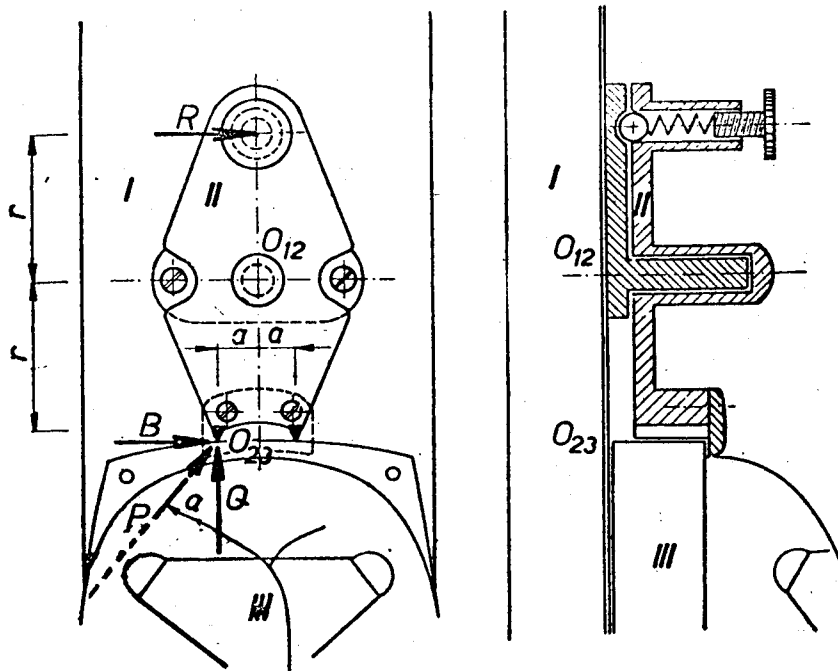
umístěny u špičky, který nahrazuje ramé čelisti u dosavadních vázání. Ostatní části pojistného vázání, jako lanko s napínací přezkou nebo řemeny, spodní háčky apod., jsou stejné.

POŽADAVKY NA POJISTNÉ VÁZÁNÍ A JEJICH ROZDĚLENÍ

Nejlépe posoudíme výhodnost těchto vázání, rozebereme-li si jejich konstrukce po mechanické stránce, tak jako se počítají inženýrské konstrukce.*) Označíme-li kroutcí moment působící na nohu M a odpovídající boční sílu působící na špičku B (obr. 1), můžeme psát, že $M = B I$, kde I je vzdálenost špičky od středu paty (přesněji od středu otáčeni boty). Kroutcí moment, který noha ještě snese, aniž by nastal úraz, nazýváme mezní moment a značíme M_m . Jemu odpovídá při vybočení boční síla B_m , která je rovna $B_m = M_m / I$. Aby vztah mezi B



*) Dušek V., Statika, Praha, Naklad. Čs. akademie věd, 1955.



Obr. 2

a M byl neměnný, musí být I konstantní. Tomu nejlépe vyhovuje otočná pata, u níž je poloha středů otáčení paty konstrukčně dána a je tedy neměnná.

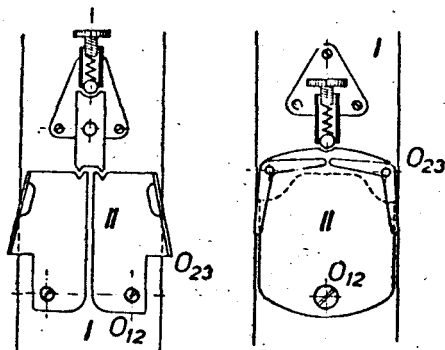
Na pojistné vázání je nutno klást následující požadavky: (1) Boční síla B_m , při níž se mechanismus rozevře, musí záviset pouze na nastavení mechanismu, s kterým je možno regulovat. (2) Síla B_m i její hodnoty B v průběhu vybočení nesmějí záviset na různých vedlejších silách, jako je tření, tlak pera spodního tahu, zamrznutí apod. (3) Při působící síle $B < B_m$ musí být bota nehybně držena na svém místě a nesmí se ani trochu ze své polohy vychylovat. Jinak by nebylo možno jízdu dobře ovládat a mohlo by to vést k úrazu. (4) S posledním souvisí, že síla $B = B(X)$ jako funkce vybočení X musí v průběhu vybočování rychle klesat ze své maximální hodnoty B_m a nikoliv vzrůstat z malé nebo dokonce nulové hodnoty a dosáhnout maxima až při určitém vybočení. Správný průběh síly B viz obr. 13, křivka 1, špatně 2. (5) Pro vybočení nesmí být třeba velké deformační práce, tj. práce potřebné pro úplné vybočení nohy z lyže. Vybočení musí nastat

naráz, jakmile vznikne síla B_m (tj. doba t vybočení co nejmenší). Určité práce je však vždy třeba. (8) Po vybočení musí mít bota maximální možnost pohybu. Možnost otočení aspoň o 90° .

Podle konstrukce pojistného mechanismu umístěného u špičky boty můžeme rozlišit tyto druhy pojistných vázání:

I. Vázání sestávající z mechanismu, jehož části jsou tvarově neproměnné, tuhé a vzájemně jsou spojeny klouby [tzv. kinematický řetěz]. Nazýváme je vázání kinematické.*) Bota je spojena s lyží řa-

*) Bota má jako deska ze statického hlediska tři stupně volnosti. Kinematické vázání váže botu n vazbami, tj. ruší n stupňů volnosti. Rozevření mechanismu je možné pouze tak, že uvolněním pojistky se současně uvolní jen jedna vazba. Aby bota byla po rozevření mechanismu pohyblivá, staticky přečtítá se dvěma vazbami, musí být bota za jízdy vázána třemi vazbami, čili staticky určitě uložena, a síce vpředu dvěma vazbami (k lyži podélnou a příčnou) a vzadu jednou (příčnou), při čemž podélná vazba pera spodního tahu se neuvažuje, protože je pružná. Aby pojistný mechanismus uvolněním příčné vazby se stal pohyblivým s jedním stupněm volnosti, musí být vytvořen buď jako kyvná podpora se dvěma



Obr. 3

Obr. 5

dou dvou kloubů O_{12} , O_{23} , z nichž jeden je proti vybočení uzavírán pojistkou. Podle druhu kloubu O_{23} se pak tato vázání dělí na:

a) jednokloubová (obr. 2, 3), u nichž kloub O_{23} není vytvořen v konstrukci mechanismu, ale je tvořen stykem podrážky a opěrné destičky mechanismu,

b) dvoukloubová (obr. 4 až 9), u nichž kloub O_{23} je vytvořen v konstrukci. Bóta se pak opírá o část (III), která se v okamžiku vybočení pohybuje kolem stejného středu otáčení O_{23} jako bota, jako by s ní byla pevně spojena. Tato vázání se pak dělí na:

1. vázání s pojistkou pevnou, kde pojistka uzavírá kloub O_{12} a kloub O_{23} je volný (obr. 4, 5, 7, 8),

2. vázání s pojistkou pohyblivou, kde pojistka uzavírá kloub O_{23} a kloub O_{12} je volný (obr. 6, 9).

Klouby těchto vázání mohou být též částečné. Jsou pak místo jednoho vždy dva souměrné položené k ose lyže a kaž-

kloubu ve směru podélné osy lyže, nebo jako posuvné lůžko napříč lyže. Protože posuvné uložení je konstrukčně nemožné vzhledem k zamrznutí a velkému tření, dospíváme k závěru, že každé kinematické vázání obsahuje dva klouby O_{12} a O_{23} , z nichž jeden je uzavírán pojistkou P, která tak zajišťuje jednu vazbu, a jiné kinematické vázání že není možné. Místo jednoho kloubu mohou ovšem být též dva částečné, uspořádané souměrně k podélné ose lyže. Mohou být též tvořeny stykem podrážky s mechanismem (O_{23} u jednokloubového vázání).

dý slouží k vybočení jen na jednu stranu. Nezapomeňme též, že tato vázání se stanou pohyblivými až při vybočení špičky boty a že do té doby se chovají jako tuhý celek stejně jako čelisti.

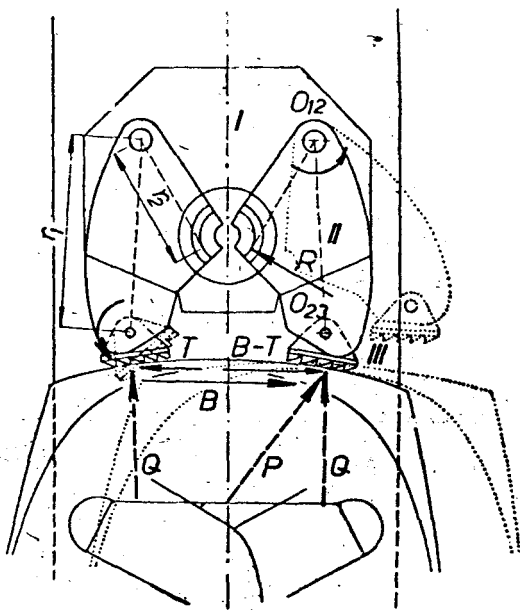
II. Vázání s tvarově proměnnou pružnou částí, např. vázání s gumovou špičkou, do níž je vsunuta špička boty. Navzájem se vázání deformační (obr. 12).

VÁZÁNÍ KINEMATICKÁ

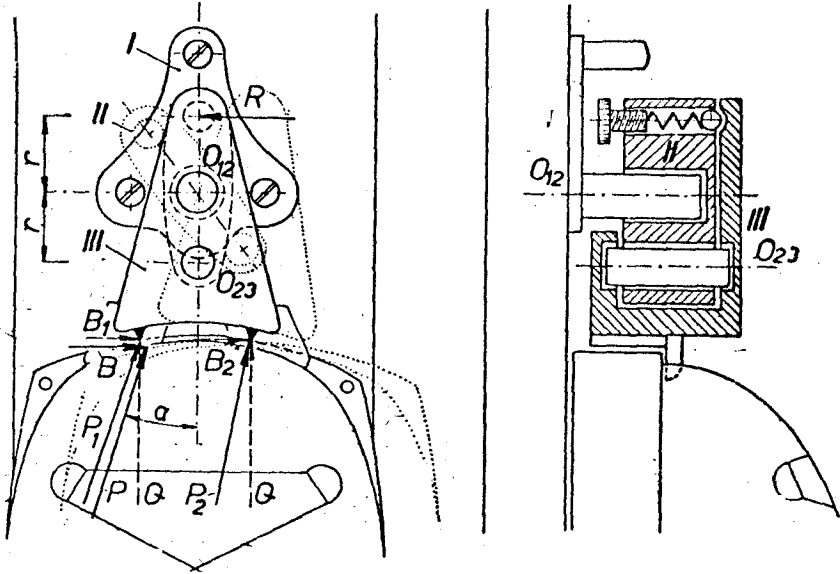
Špička boty působí na pojistný mechanismus jednak kolmým tlakem Q, který vyvozuje pero spodního tahu nebo Hultfeldovo pero, jednak boční silou B (např. obr. 6). Obě tyto síly a případně ještě nežádoucí vedlejší síly se skládají ve výslednici P, která prochází volným kloubem (O_{12} nebo O_{23}). Označíme-li α úhel výslednice P od podélné osy lyže, platí

$$Q = B \cot \alpha.$$

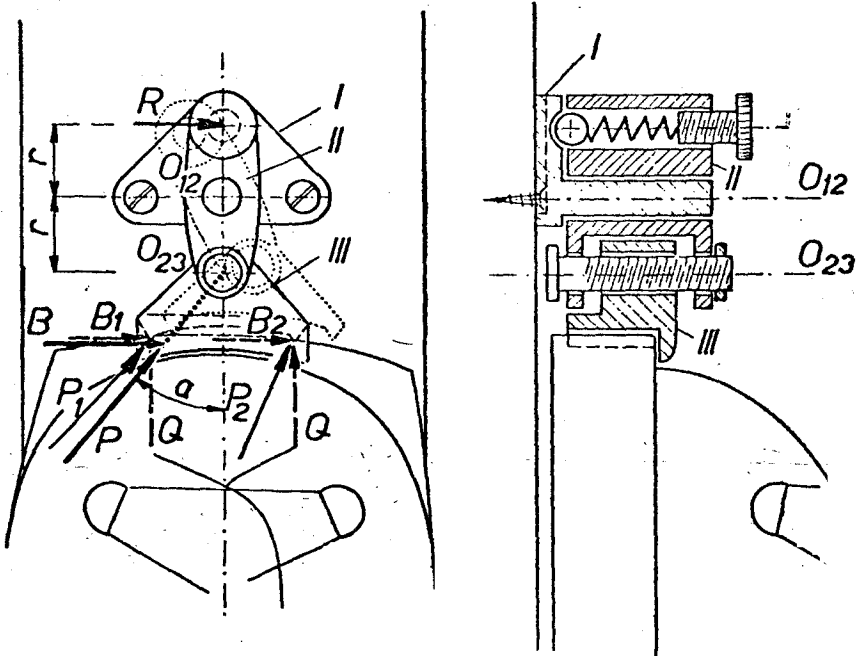
Drží-li bota na pojistném mechanismu třením, nesmí být úhel α menší než určitý úhel α_0 , aby se bota neusmykla (úhel tření). Konstrukčně je úhel α_0 dán jako odklon spojnice krajního opěrného bodu



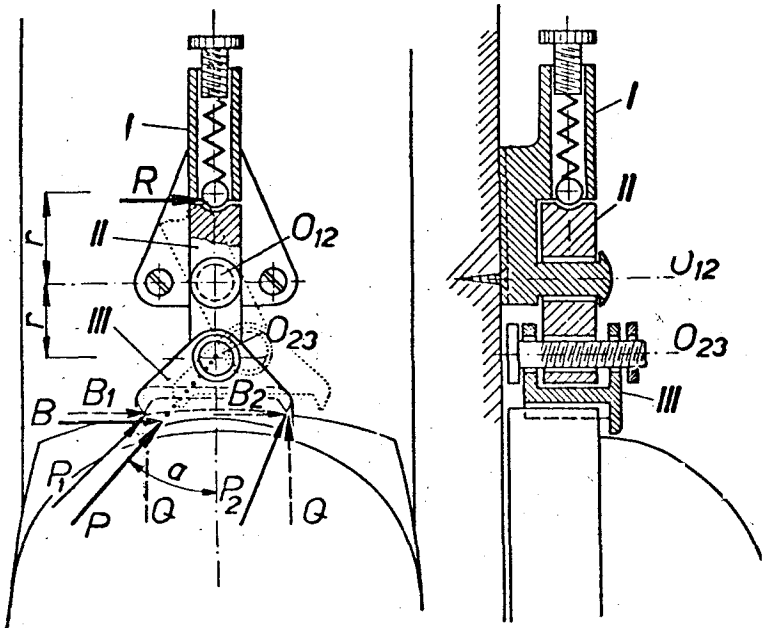
Obr. 4



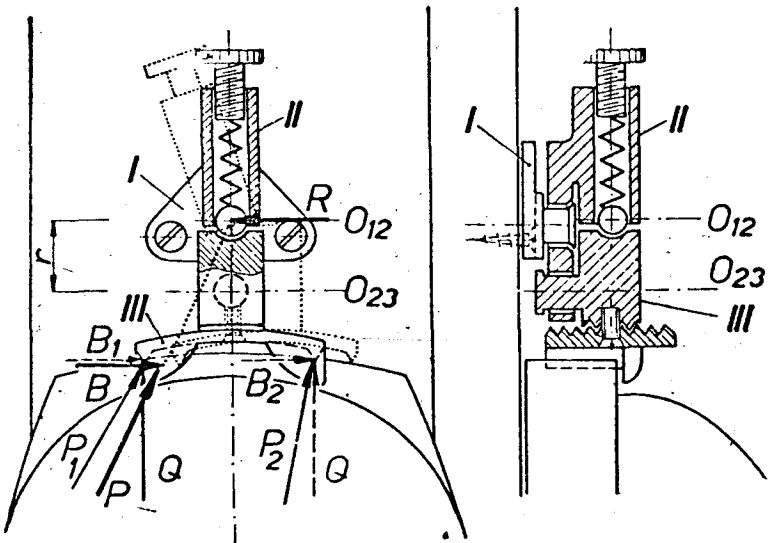
Obr. 6



obr. 7



Obr. 8

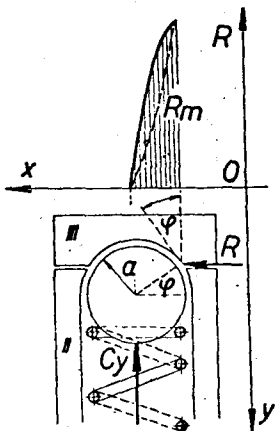


Obr. 9

podrážky a volného kloubu od podélné osy lyže. Potřebná síla Q je pak

$$Q \geq B \cot \alpha_0.$$

Tlak Q namáhá podrážku a na špičce ji drtí. Je proto výhodnější, je-li Q co nejmenší, což nastane, je-li úhel α_0 co největší. Je proto konstrukčně lepší, je-li volný kloub co nejbližší špičce boty, neboť opěrná část má pak pro daný úhel α_0 co neimenší rozměry (obr. 6, 7, 8, 9).



Obr. 10

Označme P_{12} pojistku uzavírající kloub O_{12} a obdobně P_{23} pro kloub O_{23} . Na základě variací můžeme snadno zjistit, že podle půdorysného umístění kloubů a pojistky podél lyže existuje 12 možných typů kinematických vázání, a sice typy [v závorce píšeme pořadí kloubů a pojistky směrem od špičky lyže]:

- A(P_{12} O_{12} O_{23}), B(O_{12} P_{12} O_{23}), C(O_{12} O_{23} P_{12}),
 D(P_{12} O_{23} O_{12}), E(O_{23} P_{12} O_{12}), F(O_{23} O_{12} P_{12}),
 G(P_{23} O_{12} O_{23}), H(O_{12} P_{23} O_{23}), I(O_{12} O_{23} P_{23}),
 K(P_{23} O_{23} O_{12}), L(O_{23} P_{23} O_{12}), M(O_{23} O_{12} P_{23})

Jsou též přechodné typy, je-li pojistka na stejném místě jako některý kloub. Všechny typy však nejsou konstrukčně vhodné. Tak předně má být kloub O_{12} před kloubem O_{23} , protože jinak by při vybočení měla špička boty složku pohybu směrem dozadu. Odpadají proto jako nevhodné typy D, E, F a K, L, M. Dále volný kloub má být co nejbližší špičce boty. Z tohoto hlediska jsou výhodnější typy G, H a zejména typ A. Konstrukce všech vhodných typů, dokonce však i nevhodných, byly již uskutečněny a jsou chrá-

něny patenty. Každý typ lze ovšem realizovat více způsoby.

Obecná rovnice rovnováhy pojistných vázání kinematických je vlastně momentová podmínka rovnováhy části II (obr. 2, 3, 4, ... 9). Na část II působí výslednice sil z boty P , která prochází vždy volným kloubem. Tato síla je v rovnováze s reakcí kloubu, který je uzavírán pojistkou, a s reakcí R v pojistce. Označíme-li p rameno výslednice P k uzavíratelnému kloubu, a vzdálenost pojistky od uzavíratelného kloubu, platí

$$R a = P p$$

Vznikají-li vedlejší síly, musí být též zahrnuty ve výslednici P .

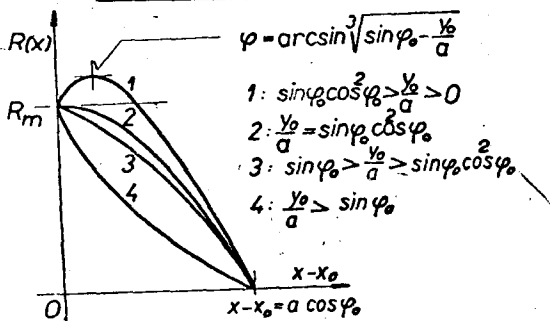
RŮZNÉ KONSTRUKCE VÁZÁNÍ KINEMATICKÝCH

Vázání kinematické jednokloubové typu A podle obr. 2 (Attenhofer) je nejjednodušší typ. Má kuličkovou pojistku a část II je vytvořena jako vahadlo. Vadou tohoto vázání je, že má dvě opěrné hrany podrážky, které vlastně obě jsou kloubem O_{23} , každá pro jeden směr vybočení. Jedna hrana však být nemůže, neboť podrážka by nesnesla soustředěný tlak jedné opěrné hrany. Rovnice rovnováhy pro vybočení má tvar

$$B = R + Q \frac{a}{r}$$

V důsledku existence dvou částečných kloubů O_{23} se zde objevuje druhý člen, vyjadřující vliv vedlejší nekontrolovatelné síly spodního tahu (proti požadavku a_2), který je tím menší, čím menší je a a čím je větší r . Tím lze omezit tento vliv

$$R(x) = C [y_0 + a(\sin \varphi - \sin \varphi_0)] \cot \varphi$$



Obr. 11

na úkor rozměrnosti vázání, úplně však ne a proto není toto vázání nejvhodnější. Též má opěrná hrana při vybočení složku pohybu směrem dozadu a musí vykonat práci potřebnou k natažení pera spodního tahu (proti pož. 5).

Vázání kinematické jednokloubové typu D (francouzské), s částečnými klouby podle obr. 3 má část II vytvořenou jako otočné čelisti. Kulíčková pojistka je spojena s čelistmi přes vahadlo. Zadní hrana bakny funguje při vybočení jako kloub Oz. Vadou vázání je, že kloub Oz je pod botou a tím též nutně za kloubem Oz. Proto má též bod Oz při vybočení složku pohybu směrem dozadu a vyvozuje na botu tření (proti pož. 1, 2, 5). Volnost boty je po vybočení čelistmi nadále omezoována (proti pož. 6).

Vázání kinematické dvoukloubové typu B s částečnými klouby podle obr. 4 (Ikarria) má dvě otočná ramena II s opěrnými destičkami III. Při vybočení se musí bota od jedné opěrné destičky oddělit a působí zde proto tření T. Proto rovnice rovnováhy pro vybočení je

$$B = R \frac{r_2}{r_1} + T$$

Protože zde vystupuje tření T, je okamžik vybočení nekontrolovatelný (proti pož. 1, 2). Tření T je totiž značně proměnné v závislosti na tlaku Q, postojí a pohybu lyžaře, druhu a opotřebení podrážky, ledu apod. Vznikne-li tření, má tendenci se při vybočení ještě zvyšovat, neboť opěrná destička se pak pootočí a zaryje se ještě více do podrážky. Gumou odpružená pojistka u tohoto vázání je též nedokonalá. Toto vázání je proto nevhodné.

Vázání dvoukloubové s částečnými klouby typu D podle obr. 5 má podobné vady jako vázání na obr. 2.

Vázání dvoukloubové typu G podle obr. 6 (Marker) je z dosud vyráběných vázání nejdokonalejší. Je opatřeno svíslou kulíčkovou pojistkou uloženou v části II a působící na část III. Rovnice rovnováhy pro vybočení zní

$$P r \sin \alpha = R \cdot 2r, \text{ a protože } P \sin \alpha = B, \text{ je } B = 2R.$$

Síla B nezávisí ani na tření, ani na tlaku pera spodního tahu. Je to proto, že při vybočení se pohybuje část III společně s botou, tj. kolem stejného středu otáčení. Nevýhodou je, že úhel α , spojnice opěrné hrany s volným kloubem a podélné osy lyže je dosti malý. Je proto třeba

velkého tlaku Q pera spodního tahu, aby vázání správně fungovalo. Jinak by se totiž mechanismus pootočil kolem kloubu Oz, napnul pero spodního tahu a vybočil bez rozevření, při menší síle, než na kterou je nastaven. Je proto též hrubou chybou, jestliže mnozí lyžaři vynechávají pero anebo jestliže jej dost nenapínají. Podrážka a její špička jsou však velkým tlakem Q příliš namáhány a musí být proto kvalitní a pevná. Jediné potom je zaručena bezvadná funkce vázání, které jinak vyhovuje všem požadavkům. Úhel α , je sice možno zvětšit rozšířením části III, je to však na úkor rozměrnosti a je to omezeno šířkou podrážky. Dále je toto vázání též výrobně drahé a náročné na přesné obrábění. Mimo jiné je to též proto, že svíslá pojistka namáhá kloub Oz na ohyb, který proto musí být velmi přesně vyroben.

KONSTRUKCE NAVRŽENÉ AUTOREM

Uvedme si nyní několik autorových konstrukcí, které odstraňují tyto nevýhody a splňují dokonale všechny požadavky. Jsou na obr. 7, 8, 9 a byly již přihlášeny k patentování. Vázání podle obr. 7 a 8 jsou dvoukloubová typu A. Rovnice rovnováhy pro vybočení zní

$$B = R.$$

Vybočení není ovlivňováno žádnými vedlejšími silami a je plně kontrolovatelné. Úhel α , výslednice P od podélné osy lyže je značně menší než u vázání Marker, protože volný je kloub Oz a ne Oz. Stačí proto menší tlak Q pera spodního tahu, opotřebení podrážky je mnohem menší a funkce bezpečnější, neboť případ, že by vázání vybočilo bez rozevření jen pootočením části III, prakticky nemůže nastat.

Vázání na obr. 9 je dvoukloubové přechodného typu G—H s vodorovnou pojistkou, která je též u typu na obr. 8. Vodorovná pojistka namáhá volný kloub na tlak a ne na ohyb, což klade mnohem menší nároky na přesnost obrábění. Vázání na obr. 9 má pojistku posunutou nad kloub Oz a rovnice pro vybočení je též $B = R$. To umožňuje vytvořit konstrukci minimálních rozměrů.

KULÍČKOVÁ POJISTKA

Pro kinematické vázání je nejvhodnější kulíčková pojistka, která je tvořena pružinkou s regulačním šroubem a kulíčkou

zapadající do dutého kulového vrchlíku. Všimněme si blíže průběhu boční síly B při vybočení, který je určen průběhem reakce R kuličky. Na obr. 10 vyplývá z výminky rovnováhy ve vswlém směru

$$R = C y \cotg \varphi,$$

$$\text{kde } y = y_0 + a (\sin \varphi - \sin \varphi_0)$$

C je pérová konstanta zpružiny, y_0 je její počáteční stlačení, které nastavujeme regulačním šroubem, φ je úhel podle obr. 10, φ_0 je jeho počáteční velikost, a je poloměr kuličky.

Dále je rozevření pojistky, tj. relativní výchylka os vrchlíku a kuličky

$$x = a (\cos \varphi - \cos \varphi_0).$$

Vázání se úplně rozevře při

$$x = a \cos \varphi_0.$$

Po dosazení dostaneme

$$R = C [y_0 + a (\sin \varphi - \sin \varphi_0)] \cotg \varphi.$$

R je funkcí φ a tedy též x, $R = R(x)$, a můžeme určit její derivaci

$$\frac{dR}{dx} = \frac{dR}{d\varphi} \cdot \frac{d\varphi}{dx} = -C$$

$$\left(1 + \frac{y_0 - a \sin \varphi_0}{a \sin^3 \varphi} \right).$$

Abý funkce R(x) klesala, musí být

$$1 + \frac{y_0 - a \sin \varphi_0}{a \sin^3 \varphi} > 0$$

pro všechna $\varphi \in (\varphi_0, \frac{\pi}{2})$. Minimum vý-

razu na levé straně při $\frac{y_0}{a} < \sin \varphi_0$ nastá-

vá, je-li $\varphi = \varphi_0$. Po dosazení dostaneme

$\frac{y_0}{a} > \sin \varphi_0$; $\cos^2 \varphi_0$. Při $\frac{y_0}{a} \sin \varphi_0$ je pod-

mínka splněna vždy. Průběh funkce R(x)

pro různé velikosti $\frac{y_0}{a}$ je na obr. 11. De-

formační práce při vybočení je

$$A = \int_{x=0}^{\frac{\pi}{2}} R(x) dx = \int_{\varphi_0}^{\frac{\pi}{2}} \frac{\pi}{2} R(\varphi)$$

$$a \sin \varphi d\varphi = \frac{1}{2} C [y_0 + a (1 - \sin \varphi_0)]^2 -$$

$$\frac{1}{2} C y_0^2$$

a je určena plochou příslušné křivky.

Křivka 4 klesá nejrychleji a příslušná

deformační práce je nejmenší, jak plyne

též z výrazu pro A. Musí se tedy konstruk-

tér snažit, aby výraz $\frac{y_0}{a}$ byl co nej-

všimneme-li si, že y_0 a C jsou spojeny

vztahem

$$C y_0 \cotg \varphi_0 = R_m,$$

kde R_m je mezní hodnota R odpovídající B_m , vidíme, že zároveň musíme vyrobit zpružinu s co nejmenší pérovou konstantou C a dát jí co největší počáteční stlačení. Tuto možnost je nutno při konstrukci plně využít, přitom je však postup v tomto směru omezen mezí pružností pružinové oceli. Nutno proto užít oceli s nejvyšší možnou mezí pružnosti.

Dále vidíme, že je nutno užít kuličky o minimálním možném poloměru a. Menší kulička a příslušný vrchlík jsou však více namáhány a proto i zde u možnosti omezeny pevností materiálu a přesností obrábění. Snažíme se proto užít materiálu s nejvyšší pevností a obrábět co nej-

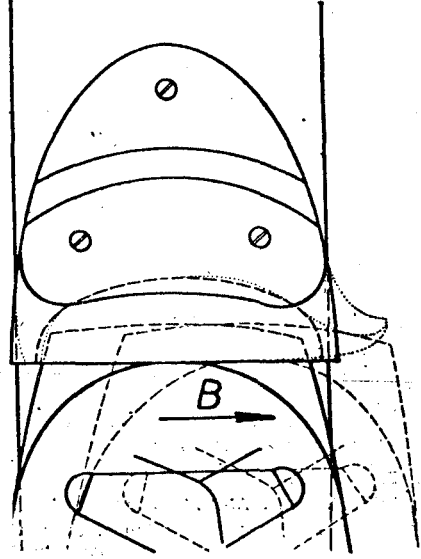
přesněji.

DEFORMAČNÍ VÁZÁNÍ

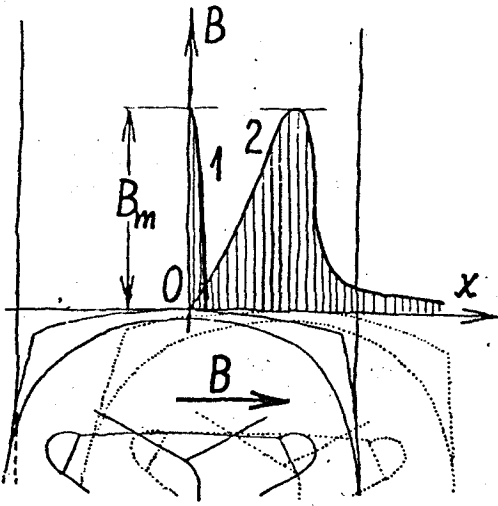
Z vázání deformačních si všimněme vázání s gumovou špičkou, do níž je vsunuta špička boty (obr. 12). Při vybočení se přetvoří špička tak, že bota vyklouzne z dutiny špičky stranou. Při zatížení boční silou B je deformace špičky neboli posunutí boty přibližně přímo úměrné síle B

$$x = k \cdot B, B = \frac{x}{k},$$

x je velikost vybočení špičky a k je koe-



Obr. 12



Obr. 13

ficient úměrnosti, který je však přesně vzato mírně proměnný v závislosti na x . Z uvedené rovnice plyne, že při každé, i při té nejmenší síle B nastává určité vybočení x a bota se proto i při normální jízdě na lyži pohybuje. To se přiči požadavku 3 a 4 a znemožňuje dokonalé ovládnutí lyže, která na noze pevně nedrží. Lze ovšem udělat špičku dostatečně tuhou, takže noha drží dostatečně pevně, pak je ale konstanta k tak malá, že noha nemůže dosti dobře vybočit. Ve sporu s požadavkem 5 je dále to, že k vybočení je třeba větší deformační práce síly B , neboť vybočení nastane až při velké výchylce x . Nejlépe je to patrné z obr. 13, kde pro srovnání je vynesena průběh síly B v závislosti na výchylce x u vázání dvoukloubového (křivka 1) a deformačního (křivka 2). Deformační práce je dána plochou omezenou příslušnou křivkou a vidíme, že tato je u dvoukloubového vázání značně menší. Křivka 1 vychází z hodnoty B_m , křivka 2 z O . Proto je vá-

zání deformační pohyblivé vždy, kdežto dvoukloubové jen při síle větší než B_m . Vlivy tření jsou u tohoto vázání též značné, neboť špička boty se musí posunovat po gumové špičce a není tedy splněn ani požadavek 1 a 2.

ZÁVĚR

Na základě uvedeného zhodnocení jednotlivých druhů vázání vidíme, že nejdokonalější z vyráběných vázání je vázání dvoukloubové podle obr. 6, které je též nejvíce rozšířeno a hodí se jak pro závodníky, tak pro průměrné lyžaře i začátečníky. Byly již také provedeny zkoušky s velkým počtem lyží s vázáním normálním a pojistným dvoukloubovým podle obr. 6 a zjistilo se, že úrazovost na tomto vázání je asi 2% proti normálnímu vázání. Přesto má však toto vázání některé nevýhody, které odstraňují konstrukce naznačené autorem na obr. 7, 8, 9, které budou pravděpodobně již v nejbližší době realizovány. Jsou též levnější výrobně.

Jiná vázání (Ikaria) jsou sice ještě levnější, deformační dokonce několikrát, neskýtají však velkou bezpečnost a mohou se stát i nebezpečnými tím, že vybočí za normální jízdy a způsobí pád, při němž druhá lyže nemusí vybočit a vznikne úraz.

Důležité u všech kinematických vázání je správné nastavení regulačního šroubu pojistného mechanismu. Proveďte si to každý lyžař sám zkusmo. Je to takové nastavení, při němž lyže už za jízdy nikdy nevypadne, ale lze při tom na místě při upevněné lyži vši silou vykroutit botu z vázání, tj. vázání rozevřít.

Pojistná vázání mají nesmírnou důležitost z hlediska celonárodního zdraví. Podívejme se jen, jaký je počet lyžařských úrazů na našich horách. Lze proto očekávat, že se pojistná vázání rychle rozšíří a že v budoucnu budou pro každého sjezdáře samozřejmým vybavením.

З. П. База́нт:

АНАЛИЗ МЕХАНИЗМА И НОВОЙ КОНСТРУКЦИИ ЛЫЖНЫХ КРЕПЛЕНИЯ

Автор описывает анализ отдельных видов креплений. Он приходит к выводу, что самым совершенным, из производимых креплений, является безопасное маркерное

(см. рис. 6). Это самый распространенный вид крепления. Оно подходит как для спортсменов, так и для средних лыжников и начинающих.

Z. P. Bažant:

MECHANICAL ANALYSIS AND NEW DESIGNS OF SAFETY SKI-BOOT ATTACHMENT

The authors give an evaluation of individual types of boot attachment. He comes to the conclusion that the most perfect type of boot attachment now in production is the

double joint type. This is also the most widely used among skiers and is suitable both for racers and for average skiers and beginners.